



ART. **42901** 4K HDMI AUDIO CONVERTER

DEAR CUSTOMER

Thank you for purchasing this product. For optimum performance and safety, please read these instructions carefully before connecting, operating or adjusting product. Please keep this manual for future reference.

1.0 INTRODUCTION

The 4K HDMI to HDMI converter extracts audio from a digital HDMI signal and converts it to an Optical Toslink SPDIF audio output or a high-quality analog 2- channel stereo output (R/L) HDMI Resolutions up to 4096x2160@30Hz and 3D Support, PASS /2.0CH /5.1CH, 3 Audio Modes Selected. Ideal for Blu-ray, DVD Player, Xbox One, SKY HD box, PS3, PS4.

2.0 FEATURES

1. One HDMI input converted to one HDMI+ Audio (SPDIF+R/L) output
2. Output audio support SPDIF.+R/L analog audio output
3. Input resolution up to 4Kx 2K 30HZ
4. Audio output support PASS/2.0CH/5.1CH
5. Need 5V/ 1A power adapter
6. Installs in minutes
7. No loss of quality

3.0 PACKAGE

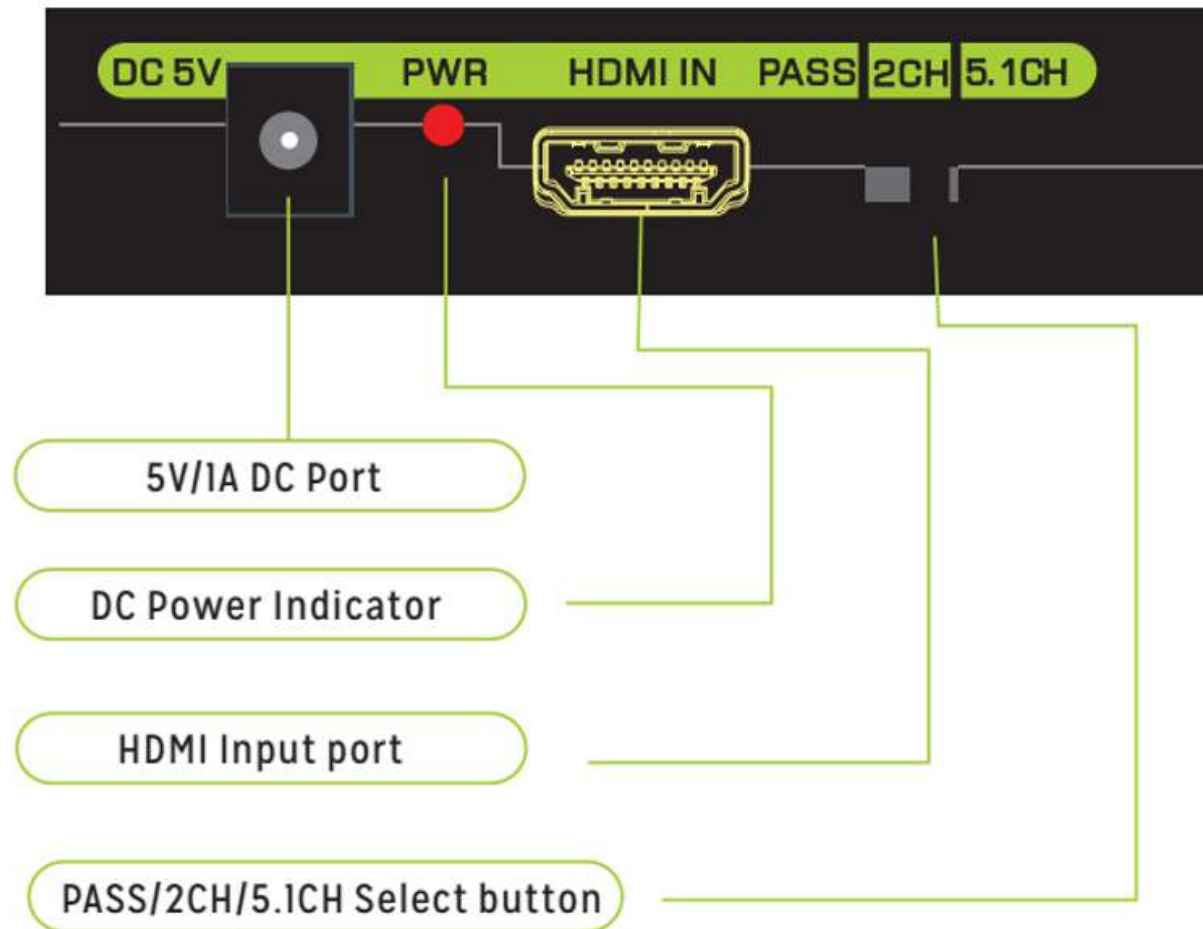
1.Main Device.....	1 pcs
2.5V/1A DC Power adapter.....	1 pcs
3.User manual.....	1 pcs
4.Neutral Packing.....	1 pcs

4.0 SPECIFICATIONS

HDMI Resolution.....	up to 1080P/4KX2K@30HZ
Support video color format.....	24bit/ deep color 30bit,36 bit
Audio output	R/L+SPDIF
Max bandwidth	225MHZ
MAX BAUD RATE.....	6.75Gbps
Input/Output TMDS signal	0.5-1.5Volts p-p(TTL)
Max working current.....	500mA
Dimensions (LXWXH).....	84.5mm X 61.8mm X 21mm
Weight.....	135g

5.0 OPERATION AND FUNCTION

FRONT PANEL

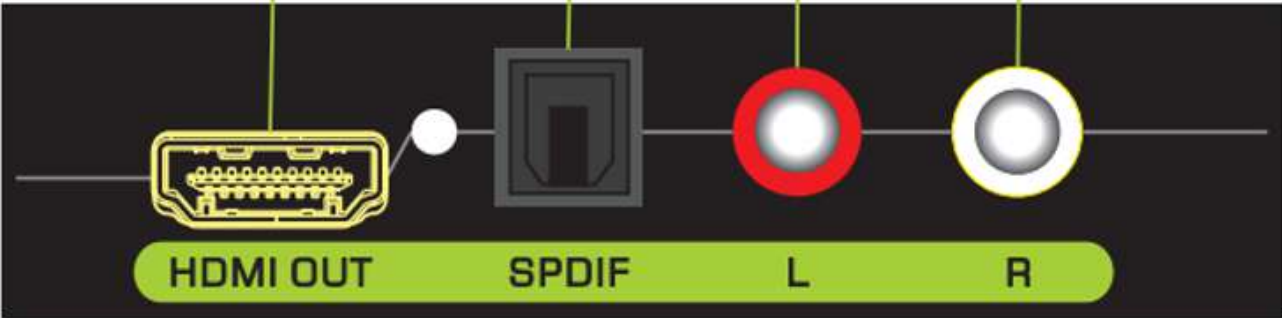


REAR PANEL

R/L Audio signal Output port

SPDIF signal Output port

HDMI Output port



6.CONNECTION DIAGRAM

